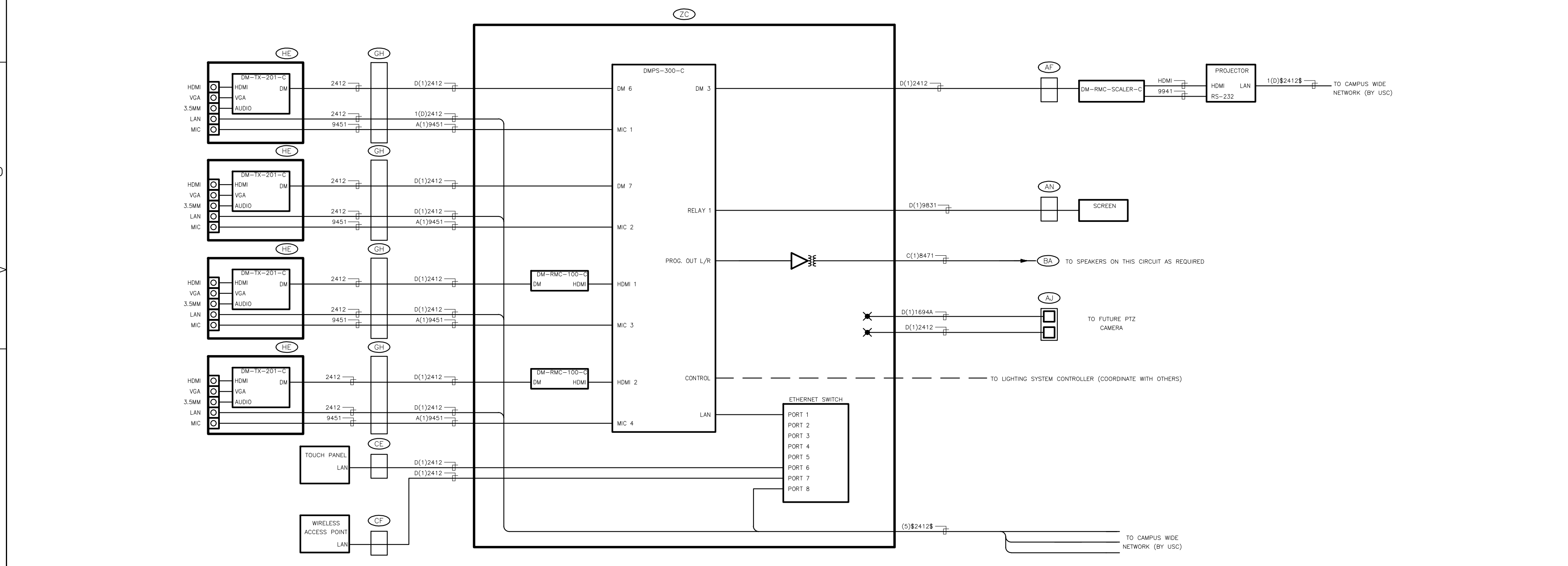
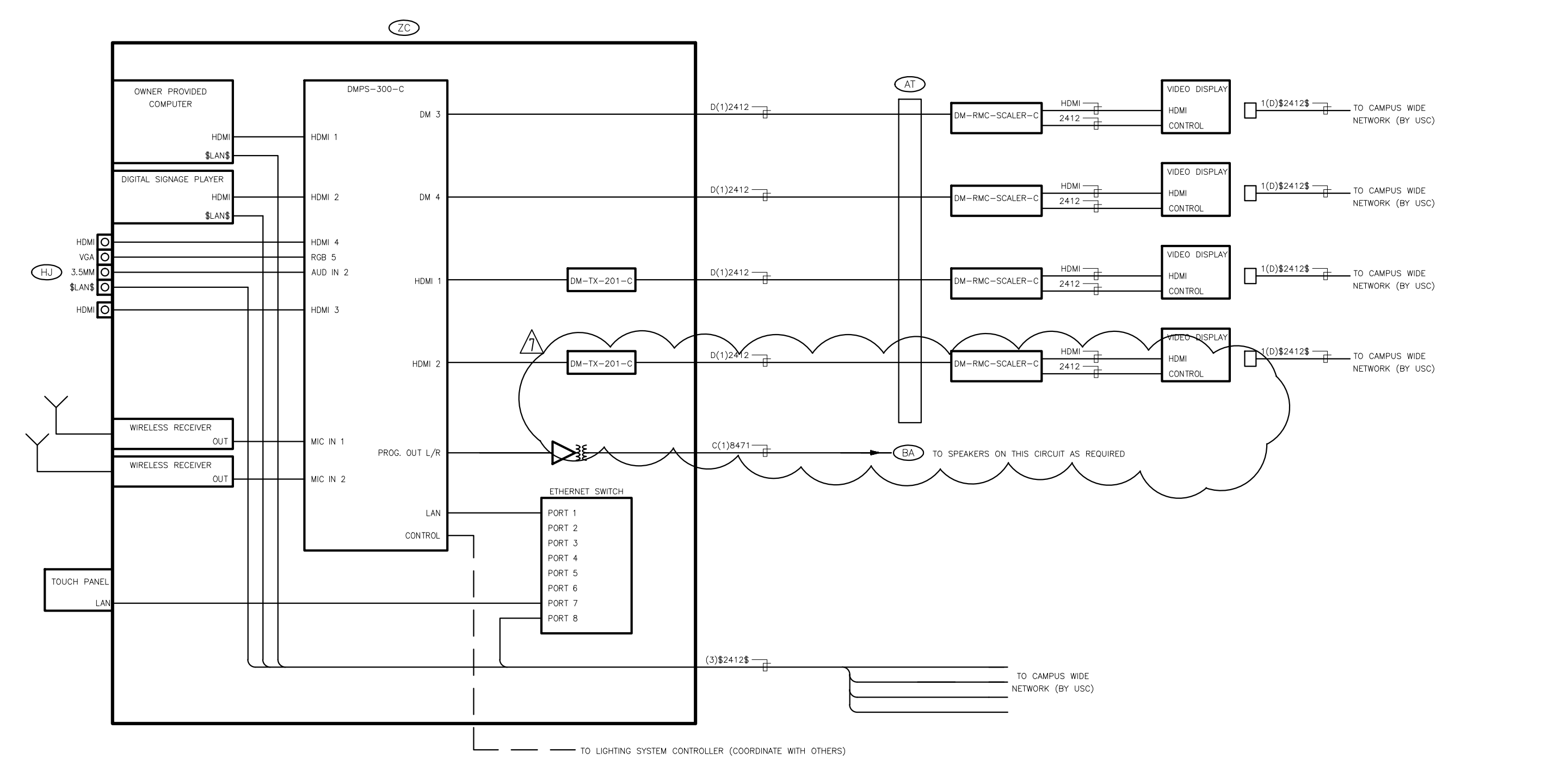


COMBINABLE DISCUSSION/RECITATION ROOMS (104-105) - AUDIO/VIDEO SIGNAL FLOW  
SCALE: NTS 01

- SIGNAL FLOW NOTES:**
1. DASHED LINES INDICATE REQUIRED CONNECTIONS TO OTHER BUILDING SYSTEMS AND EQUIPMENT BEING PROVIDED BY OTHERS.
  2. REFER TO TELECOMMUNICATIONS DOCUMENTATION FOR ADDITIONAL INFORMATION ON REQUIREMENTS FOR CONNECTIONS TO THE BUILDING DATA NETWORK.
  3. REFER TO LIGHTING AND MOTORIZED SHADING SYSTEMS DOCUMENTATION FOR ADDITIONAL INFORMATION ON REQUIREMENTS FOR CONNECTIONS TO LIGHTING AND MOTORIZED SHADING SYSTEM CONTROLLERS. WIRE TO BE PROVIDED AT AV EQUIPMENT RACK LOCATIONS BY OTHERS FOR TERMINATION AND INTEGRATION BY AV INSTALLER. COORDINATE WITH LIGHTING AND SHADING SYSTEM PROVIDERS. AV CONTROL SYSTEM TO TRIGGER PRESET SCENES PROGRAMMED IN LIGHTING SYSTEM CONTROLLER BY OTHERS. AV CONTROL SYSTEM TO TRIGGER PRESETS AND/OR UP/DOWN/STOP COMMANDS FOR SHADING SYSTEM MOTOR CONTROLLERS. COORDINATE WITH OTHERS.
  4. ALL FLOORBOX CONDUIT PATHS WILL PENETRATE BELOW THE BOX INTO THE ACCESSIBLE CEILING OF THE LEVEL BELOW. WHERE NO ACCESSIBLE CEILING EXISTS, CONDUIT WILL BE ROUTED THROUGH THE NEAREST ACCESSIBLE CEILING AREA.



CONFERENCE SEMINAR ROOMS (108, 109) - AUDIO/VIDEO SIGNAL FLOW  
SCALE: NTS 02



VISITOR'S CENTER (201) - AUDIO/VIDEO SIGNAL FLOW  
SCALE: NTS 03

USC BUSINESS PARTNERSHIP FOUNDATION  
ON BEHALF OF  
USC CAMPUS PLANNING & CONSTRUCTION

PROJECT NAME:  
UNIVERSITY OF SOUTH CAROLINA  
DARLA MOORE SCHOOL OF BUSINESS CONSTRUCTION

OSE PROJECT NUMBER:  
H27-6069-AC-3

743 GREENE STREET  
COLUMBIA, SC 29298  
TEL: 803 777 4022 FAX: 803 777 0484

ARCHITECT:  
RAFAEL VINOLY ARCHITECTS PC  
50 VANDAM STREET  
NEW YORK, NY 10013  
TEL: 212 924 5060 FAX: 212 924 5858

STRUCTURAL ENGINEER, MEP ENGINEER,  
CIVIL ENGINEER, FIRE PROTECTION  
ENGINEER:  
STEVENS & WILKINSON, SC  
151 MAIN STREET, FLOOR 5G  
COLUMBIA, SC 29201-5801  
TEL: 803 765 0320 FAX: 803 254 6209

TELECOMMUNICATIONS, AUDIOVISUAL & ACOUSTICS:  
JAFFE HOLDEN ACOUSTICS, INC.  
114A WASHINGTON STREET  
NORWALK, CT 06854-3007  
TEL: 203 638 1857 FAX: 203 838 4168

LANDSCAPE ARCHITECT:  
GEMBALL-COTTELL ASSOCIATES  
600 BELTLINE BOULEVARD  
COLUMBIA, SC 29205  
TEL: 803 738 9525 FAX:

SURVEYOR:  
BP BARBER & ASSOCIATES, INC.  
101 RESEARCH DRIVE  
COLUMBIA, SC 29202-1116  
TEL: 803 429 4028 FAX:

BUILDING CODE:  
HUGHES ASSOCIATES  
3610 COMMERCE DRIVE, SUITE 817  
BALTIMORE, MD 21227-9652  
TEL: 410 737 8677 FAX: 410 737 8688

LIGHTING DESIGNER:  
ONE LUX STUDIO, LLC  
39 WEST 13TH STREET  
NEW YORK, NY 10011  
TEL: 212 201 5792 FAX: 212 615 3700

FOOD & WASTE MANAGEMENT:  
WILLIAM CARUSO & ASSOCIATES, INC.  
8055 EAST TURTLE AVE, SUITE 1520  
DENVER, CO 80237  
TEL: 303 649 1600 FAX: 303 649 1660

SIGNAGE & WAYFINDING:  
RAFAEL VINOLY ARCHITECTS PC  
50 VANDAM STREET  
NEW YORK, NY 10013  
TEL: 212 924 5060 FAX: 212 924 5858

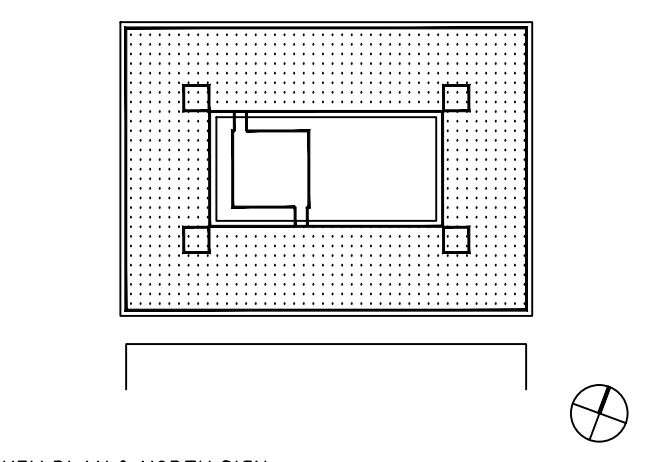
SPECIFICATIONS:  
ROBERT SCHWARTZ & ASSOCIATES  
589 8TH AVE., 17TH FLOOR  
NEW YORK, NY 10018  
TEL: 212 691 3248 FAX: 212 633 1613

AV BID PACKAGE B  
AUDIO/VIDEO SYSTEMS  
MAY 1, 2013

PHASE:  
100% CONSTRUCTION  
DOCUMENTS

SEAL & SIGNATURE

DATE	ISSUE NO.	ISSUE DATE	ISSUE NO.	ISSUE DATE	ISSUE NO.	ISSUE DATE
2013.05.01						
2013.04.19						
2013.04.15						
2013.01.18						
2012.12.05						
2012.10.26						
2012.09.10						
2012.07.23						



KEY PLAN & NORTH SIGN  
IF THIS DRAWING IS NOT 30" X 42" IT IS A REDUCED PRINT.  
REFER TO GRAPHIC SCALE

AV0308  
SHEET NUMBER